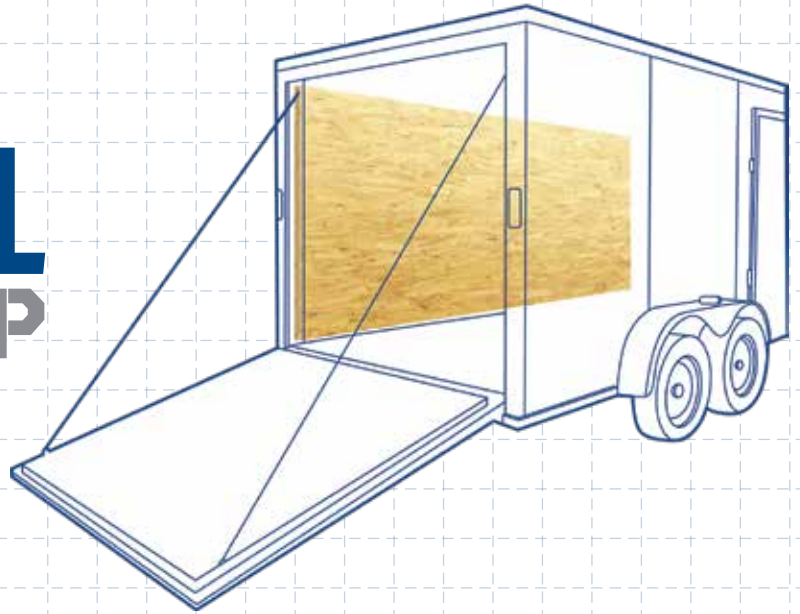




STABLEWALL

ENGINEERED STRAND PRODUCTS **ESP**



STABLEWALL IS A PRECISION ENGINEERED WOOD PANEL THAT IS SPECIFICALLY DESIGNED FOR TODAY'S ENCLOSED TRAILER WALL SYSTEMS

- Steam pre-heating technology acclimatizes the panel for improved core strength & stability
- High internal bond that easily accepts and holds nails, screws and staples
- Resistance to twisting, cupping, cracking and warping
- Outstanding anti-swell properties
- Excellent yield due to optimized panel sizes
- Clean surfaces free of patches, putty and other imperfections
- Smooth sanded finish on the face of the panel with no panel markings
- Meets or exceeds APA PS2 standards
- 1-year limited warranty
- CARB (California Air Resource Board)-exempt and contains no urea-formaldehyde resins



CALL US TODAY

Blair Ruzicka • blair.ruzicka@norbord.com • (470) 201-7660

Joe Boscarol • joe.boscarol@norbord.com • (416) 777-4381

Adeel Muqtadir • adeel.muqtadir@norbord.com • (416) 777-4392

Chris Wischmann • chris.wischmann@norbord.com • (951) 255-1712

Paolo Zampieron • paolo.zampieron@norbord.com • (416) 777-4383